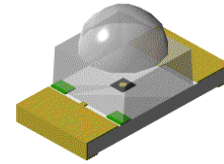


# 1206 Dome Reverse Package 30 Degree

## VS 8248

### Description


The major breakthrough in VS 8248 is Blue color emitted, package in dimension L x W x H, 3.2 \* 1.6 \* 1.9mm. The dice used in this series is InGaN material. The advantages of InGaN are low power consumption and obtaining high luminous intensity under low current driving condition. The Wavelengths and Luminous Intensities of this series are grouped under 20mA for uniformity. These LEDs are suitable for multiple usages in series connection applications.



### Applications

- Industrial control systems signal indicator
- Automotive features
- Front panel indicator
- Status indication

### Electronic Optical Characteristics (at 20mA):

Part Number	Emitted Color	$\lambda$ (nm)		Lens Color	Iv(mcd)		View Angle	VF(V)	
		$\lambda_d$	$\lambda_p$		Min.	Typ.		Typ.	Max.
VS 8248	Blue 	470	468	Clear	280	900	30	3.3	3.7

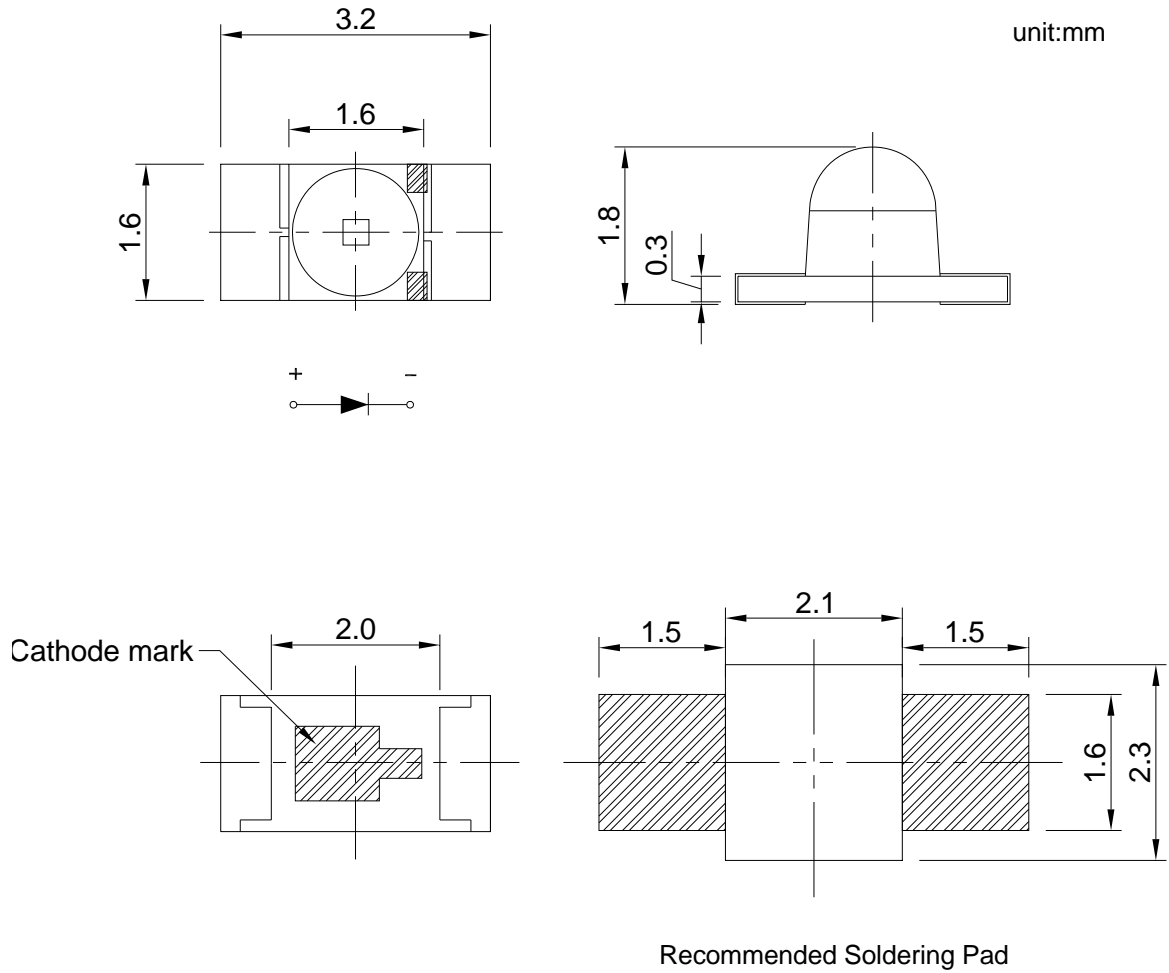
### Absolute Maximum Ratings (at Ta=25°C)

P <sub>D</sub> (mW)	I <sub>FP</sub> (mA)	I <sub>F</sub> (mA)	Iron Sol.(°C)	I <sub>R</sub> (uA)@V <sub>R</sub> =5V	Topr(°C)	Tstg(°C)
120	100*	30	350±5 for 3 sec	50	-40~+85	-40+100

Note: Please take note the Absolute Maximum Rating values. Any operation beyond the specified ratings in this table will result degradation of LED life- span and may cause LED to fail.

\* I<sub>FP</sub>: Peak Forward Current under 1/10 duty, 1KHz condition

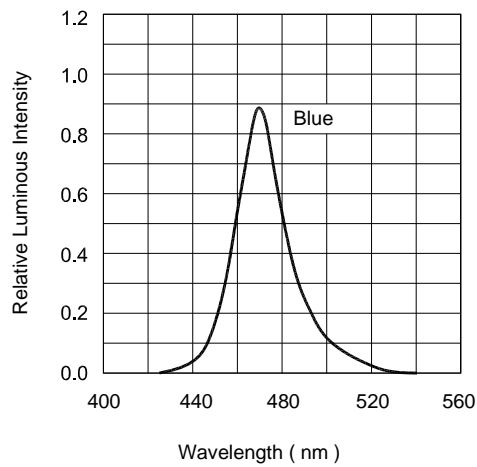
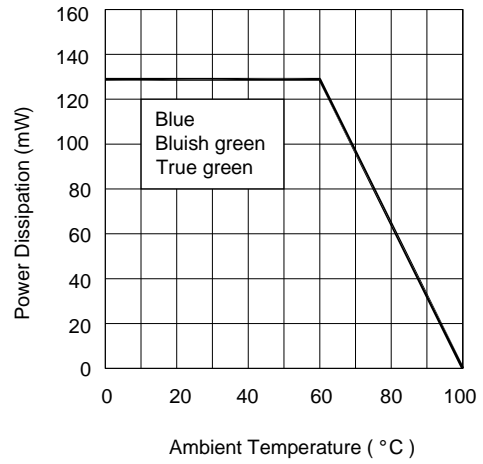
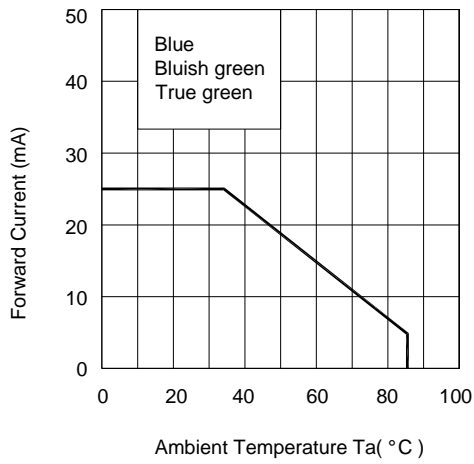
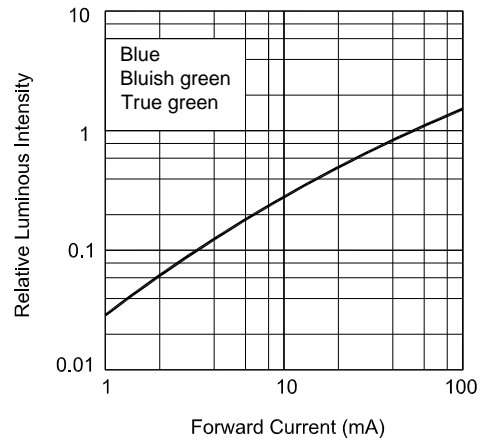
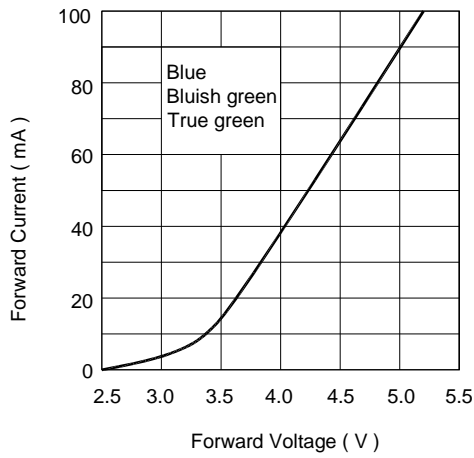
**Package Dimension:**



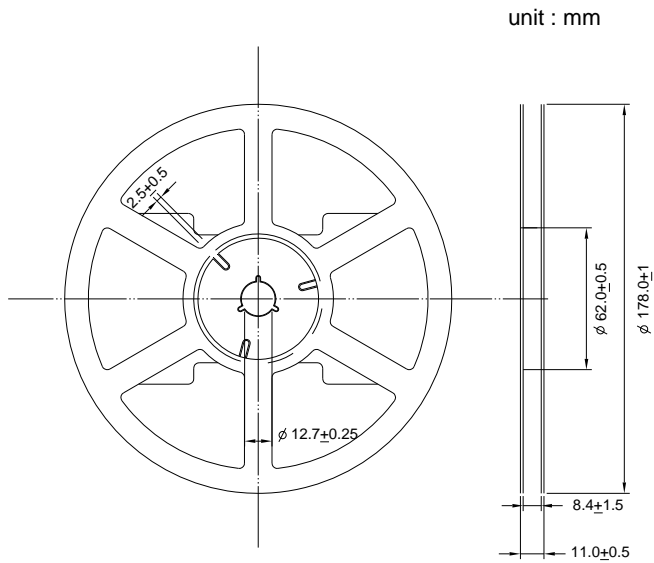
**Notes:**

1. All dimensions are millimeters.
2. Tolerance is  $\pm 0.2\text{mm}$  unless otherwise specified.
3. Specifications are subject to change without notice.

## Optical Characteristics Curves

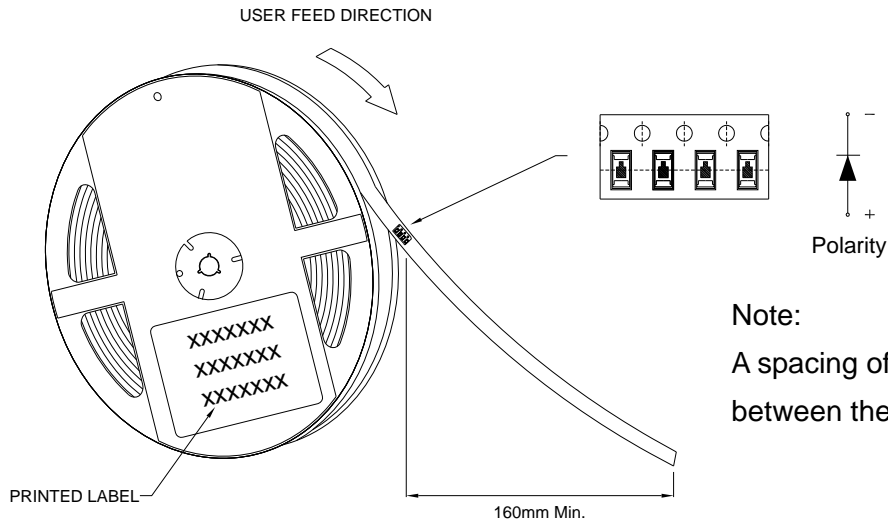


### Reel Dimension:



Note:

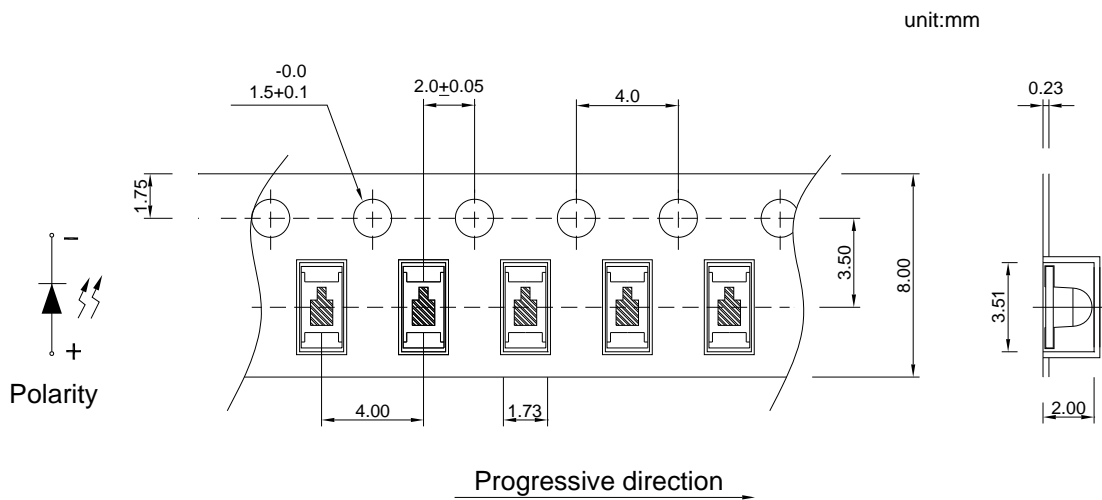
Available in 8mm carrier tape on 178mm diameter reels. (1500 pieces)



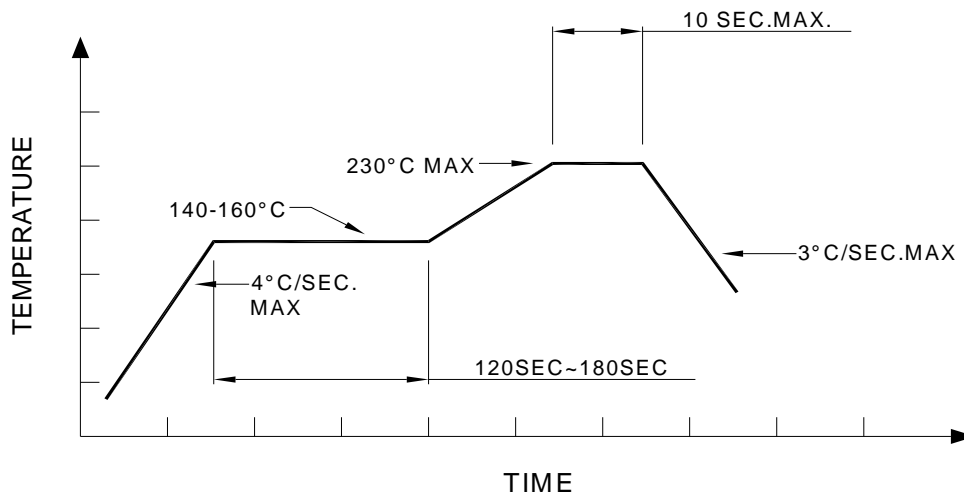
Note:

A spacing of approximately 160mm between the front edge of tape

### Tape Dimension:



**Recommended re-flow soldering profile:**



**Recommended Pb-free re-flow soldering profile:**

